



Freestanding Table and Stool Installation

All site work is the responsibility of the installer; we are offering recommendations only.

Select a level surface, preferably with hardscape such as concrete or brick pavers. Alternately a level area of crushed gravel would be acceptable. One table set requires an area that this 5' 6" x 3'.

When using stools on all 4 sides, a 5' 6" x 5' 6" area is required.

Item	Description - Size	Weight
466FS- top	Freestanding Table top 32" x 32" x 4" high	250 pounds
466FS - base	Freestanding table base, 29 ½" square footprint x 27" tall	200 pounds
466FS - stool	Round Stool, hollow interior, 16" diameter x 18" tall	200 pounds
466FS- rect. stool	Rectangular Stool, 13" x 16" x 18" tall.	200 pounds

Proper orientation of the table top is dependent on the table base location. Make sure to orient the engraved concrete classics symbol to be square with one stool location. When placing table top, a white square should be located in the lower right corner in front of the stool locations.

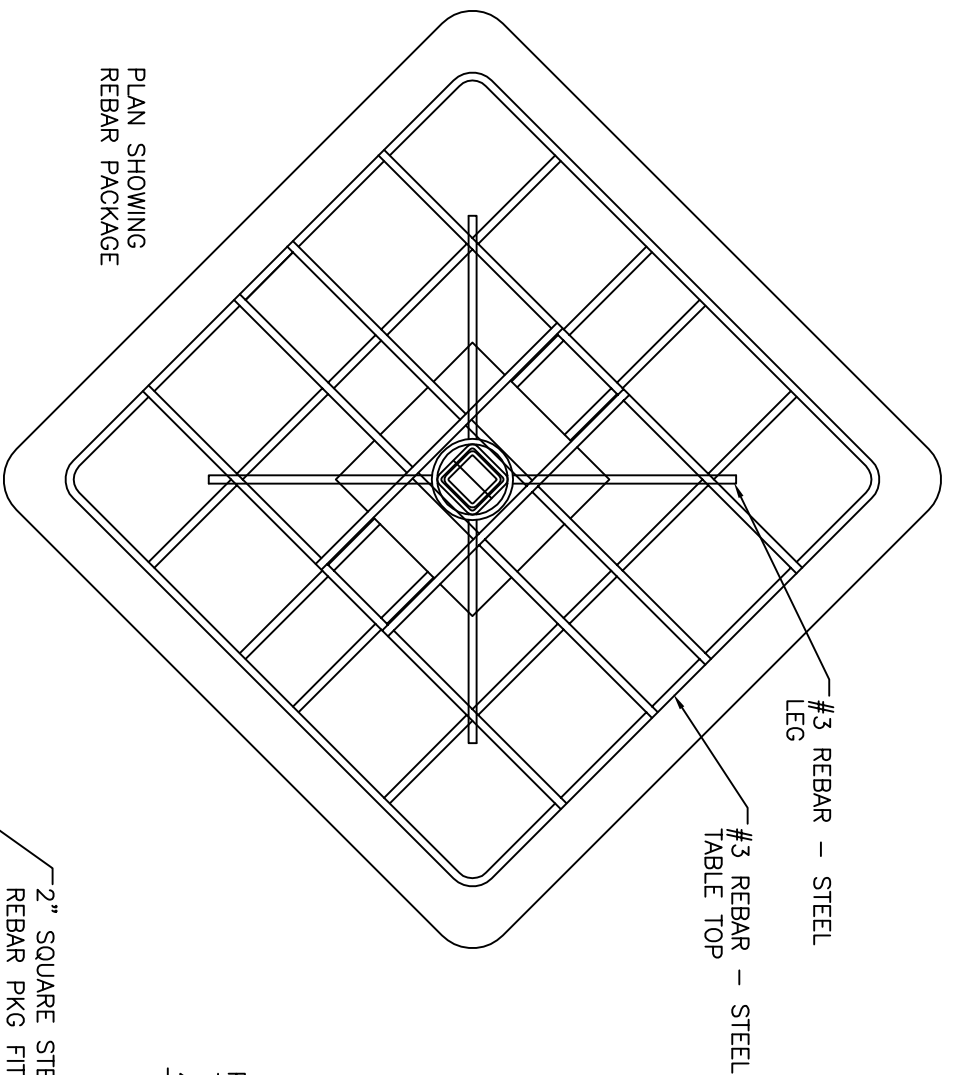
Optional Base anchoring: drill a 2" diameter x 6" deep hole in the center of the table location. Screw a ½" x 6" long threaded rod into the anchor insert in the base of the table. Fill hole in ground with anchoring cement, lift table base with installed rod into hole. Level base with wooden shims, break off exposed shims. If desired place mortar below table legs.

Table top placement: align the square pipe under the top with the square hole in the collar of the table base, and lower top onto base. NOTE : It may be helpful to have an extra person with a view below the table top to help guide the pipe into the hole.

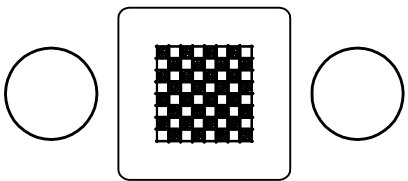
If the table top is still able to make small movements, use a wooden shim between the table top and the base to level, break off any excess shim.

Concrete is composed of stone aggregate of various sizes. Due to its organic nature, color may vary from piece to piece. In precast concrete, there will be seams. Though they are polished down in our finishing process, they may still be visible. Concrete tables will only crack under extreme conditions, however minor hairline cracks or crazing may appear. These are natural and part of the nature of curing concrete.

Concrete can be cleaned with non-abrasive cleaners, hand scrubbing or power washing. While we do apply a concrete sealant to the table tops, the stools are left natural. Concrete sealant should be re-applied every 3 - 5 years, after a thorough cleaning. Concrete is a porous stone and it is expected that some environmental conditions will stain the concrete, such as tree sap and heavy pollution, even with the concrete sealant applied.

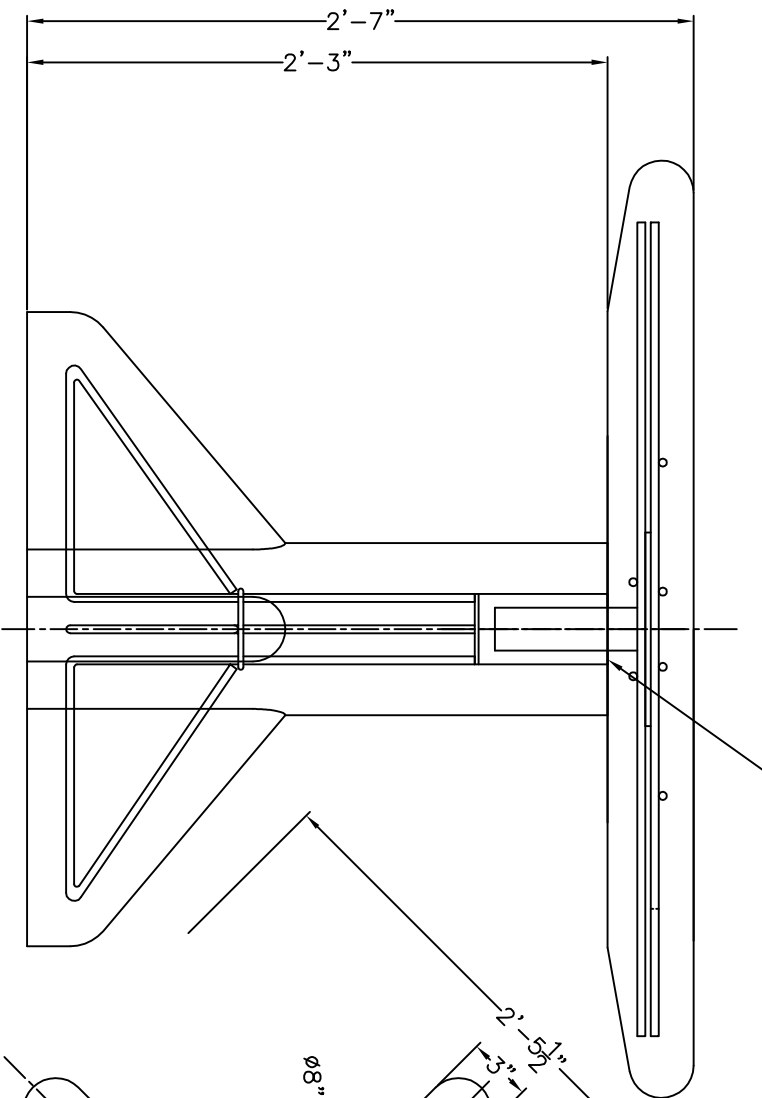


PLAN SHOWING
REBAR PACKAGE

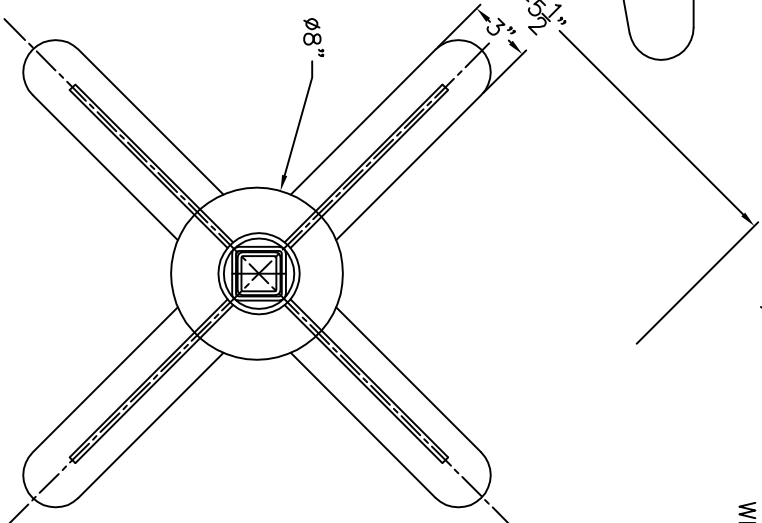


PLAN VIEW OF
TABLE WITH TWO
466B-S STOOLS
SCALE: 1"=1'-0"

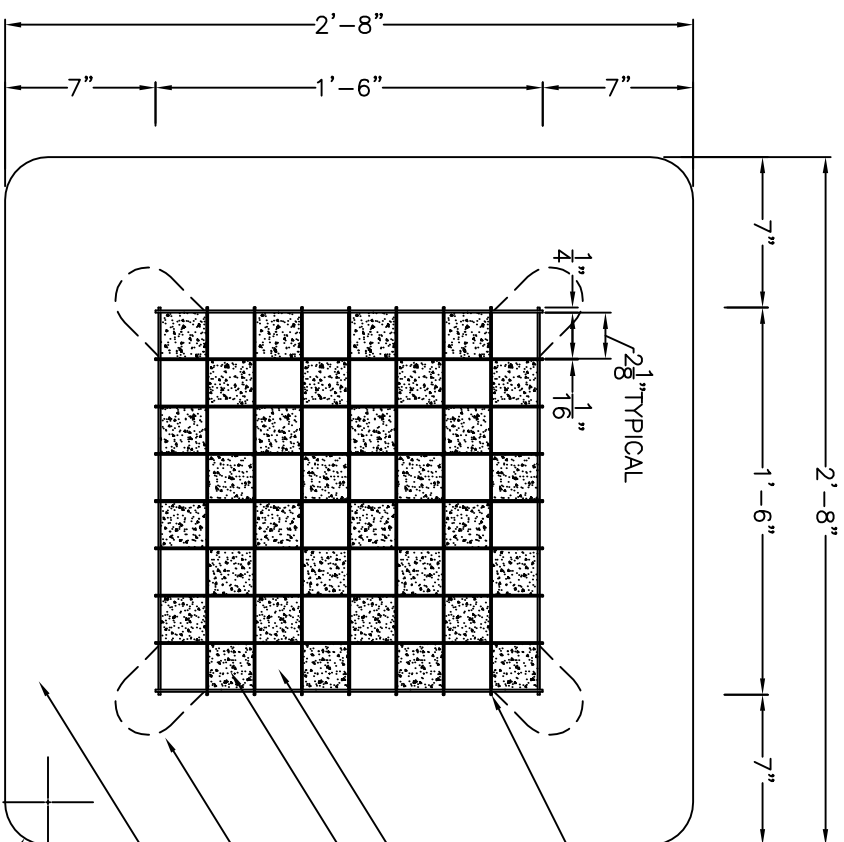
2" SQUARE STEEL TUBE OF TABLE TOP
REBAR PKG FITS INTO THE 2 1/2" SQ
STEEL TUBING OF LEG REBAR PKG.



ELEVATION SHOWING
REBAR PACKAGE



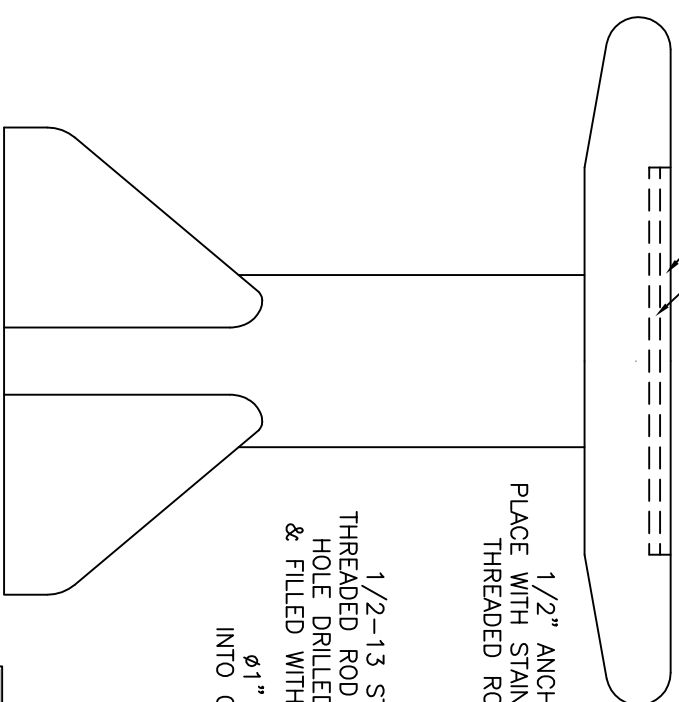
PLAN VIEW OF LEG
SHOWING REBAR PACKAGE



PLAN VIEW

NOTE:
CHECKER TABLES SHALL BE SET SO
THAT A PERSON SEATED ON THE BENCH
WILL HAVE A WHITE SQUARE IN THE
LOWER RIGHT HAND CORNER OF THE
BOARD

1/2" DEEP MORTAR BED
WITH BRASS DIVIDERS



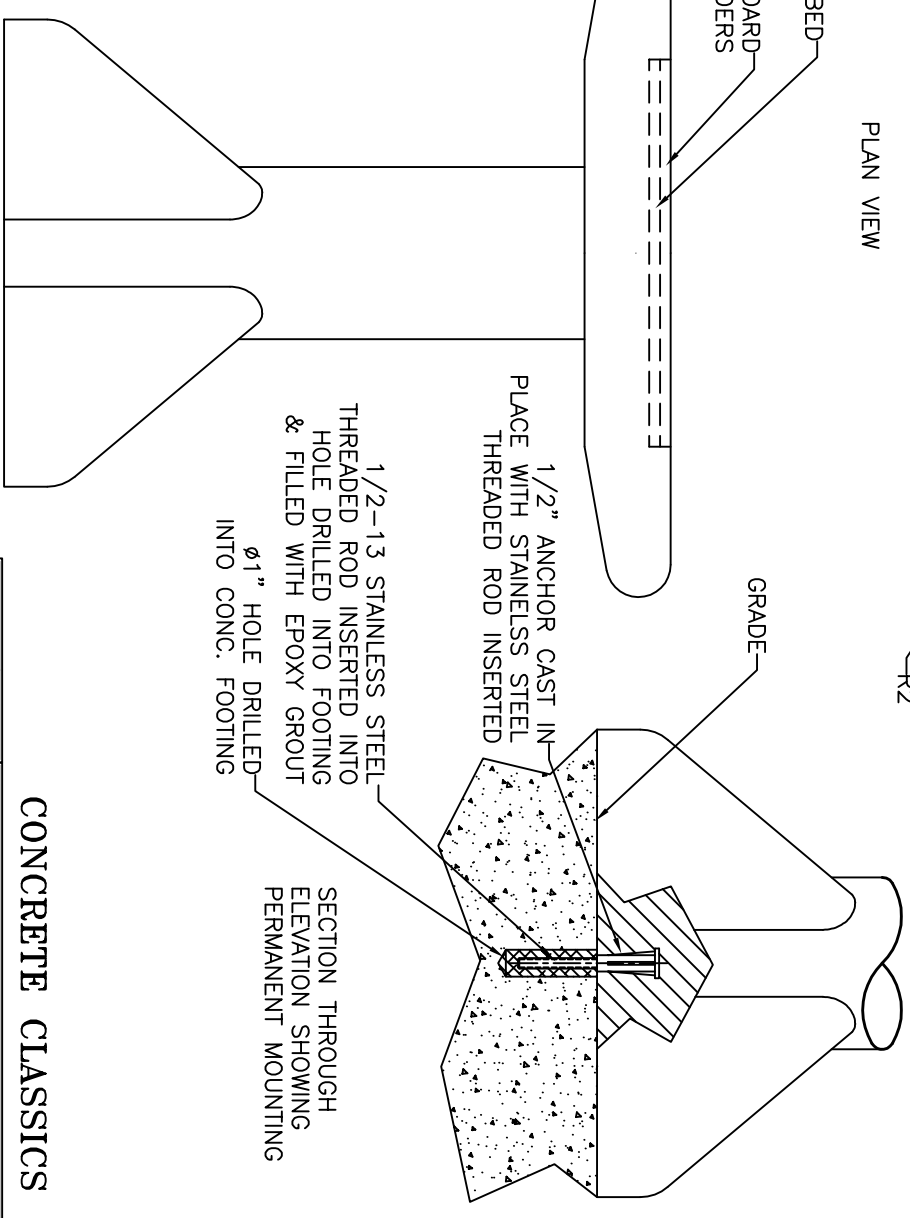
ELEVATION

1/2" ANCHOR CAST IN
PLACE WITH STAINLESS STEEL
THREADED ROD INSERTED

1/2-13 STAINLESS STEEL
THREADED ROD INSERTED INTO
HOLE DRILLED INTO FOOTING
& FILLED WITH EPOXY GROUT

φ1" HOLE DRILLED
INTO CONC. FOOTING

SECTION THROUGH
ELEVATION SHOWING
PERMANENT MOUNTING



CONCRETE CLASSICS

Date Revised:	Drawn By:	466FS2 MOVABLE TABLE	Drawn: SJA
6/21/08	S.L.A.	Scale: 3/4"=1'-0"	Date: 6/3/08
11/29/12	S.L.A.	MULTI VIEWS	Drawn: SJA
		MAT'L: CAST STONE	#CC-466FS2